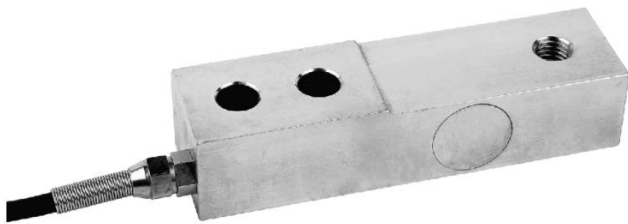
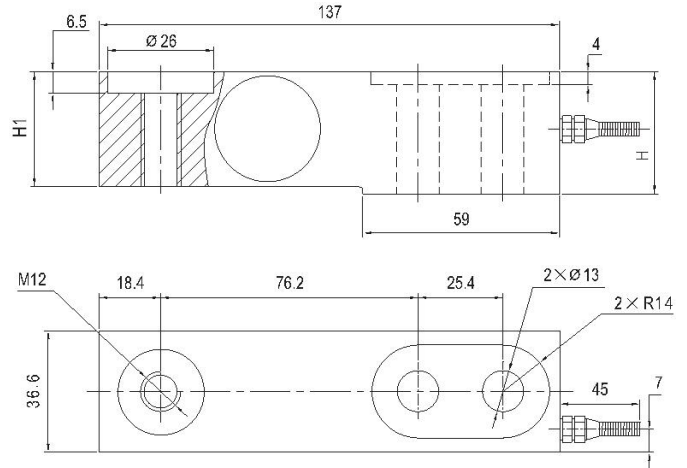


# SBC/SBF

## Load cells



叉车秤、低平面台秤、平台秤  
Forklift scale, low platform scale, platform scale



Type 型号	SBC	SBF
H	36.6	31
H1	34.5	29

### Specifications 技术说明 Exc+激励正 (Red,红);Exc-激励负(Black,黑);Sig+信号正(Green,绿);Sig-信号负(White,白)

Item 项目	Unit 单位	Parameter 参数	
Accuracy class to OIML R60 精度等级		C2	
<b>Maximum capacity (E<sub>max</sub>) 额定载荷</b>	<b>t</b>	<b>1</b>	
Minimum LC verification interval (V <sub>min</sub> ) 最小检定分度值	% of E <sub>max</sub>	0.0200	
<b>Sensitivity (C<sub>n</sub>) / Zero balance 灵敏度/零点平衡</b>	<b>mV/V</b>	<b>2.0 ± 0.002 / 0 ± 0.02</b>	
Temperature effect on zero balance (TK <sub>0</sub> ) 温度对零点影响	% of C <sub>n</sub> /10K	±0.02	
Temperature effect on sensitivity (TK <sub>c</sub> ) 温度对灵敏度影响	% of C <sub>n</sub> /10K	±0.02	
Hysteresis error (d <sub>hy</sub> ) 滞后误差	% of C <sub>n</sub>	±0.0270	
Non-linearity(d <sub>lin</sub> ) 非线性误差	% of C <sub>n</sub>	±0.0250	
Creep(d <sub>cr</sub> ) over 30 min. 蠕变及蠕变恢复	% of C <sub>n</sub>	±0.030	
<b>Input (R<sub>LC</sub>) &amp; Output resistance (R<sub>o</sub>) 输入&amp;输出电阻</b>	<b>Ω</b>	<b>400 ± 10 &amp; 352 ± 3</b>	
<b>Nominal range of excitation voltage (B<sub>u</sub>) 额定电压</b>	<b>V</b>	<b>5~12</b>	
Insulation resistance (R <sub>is</sub> ) at 50Vdc 绝缘电阻	MΩ	≥5000	
Service temperature range (B <sub>u</sub> ) 工作温度	°C	-30...+70	
Safe load limit (E <sub>L</sub> ) & Breaking load(E <sub>d</sub> ) 安全承载&破坏载荷	% of E <sub>max</sub>	150 & 300	
<b>Protection class according to EN 60 529 (IEC 529) 保护等级</b>		<b>IP67</b>	
Material :Measuring element 材料: 测量元件 Cable fitting 电缆配件 Cable sheath 电缆护套		Stainless or alloy steel Stainless steel or nickel-plated brass PVC	
Type 型号		SBC	SBF
Weight(G),approx 重量	kg	1.2	1.1
Deflection at E <sub>max</sub> (s <sub>nom</sub> ),approx 最大载荷下的变形量	mm	<0.6	
Cable 电缆: Diameter 直径: Ø6mm Length长度	m	1.9	